

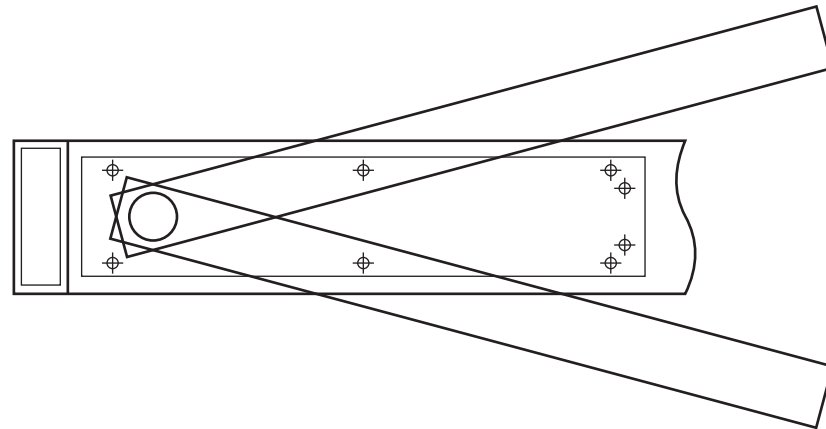
6. Centering the door. Open the adjustment valves.

800 Series

Center door in jamb by adjusting centering screws in top arm. Tighten arm screws securely.

700 Series

Adjust arm centering screws to provide pressure of door against stop on frame. Tighten main arm screws securely.

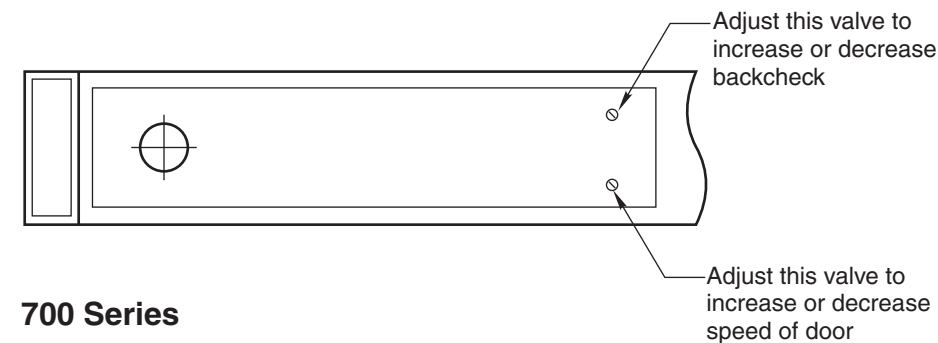


7. Adjust closing speed of door

800 Series

Each valve controls one swing only. To decrease speed turn clockwise. To increase speed turn counter clockwise

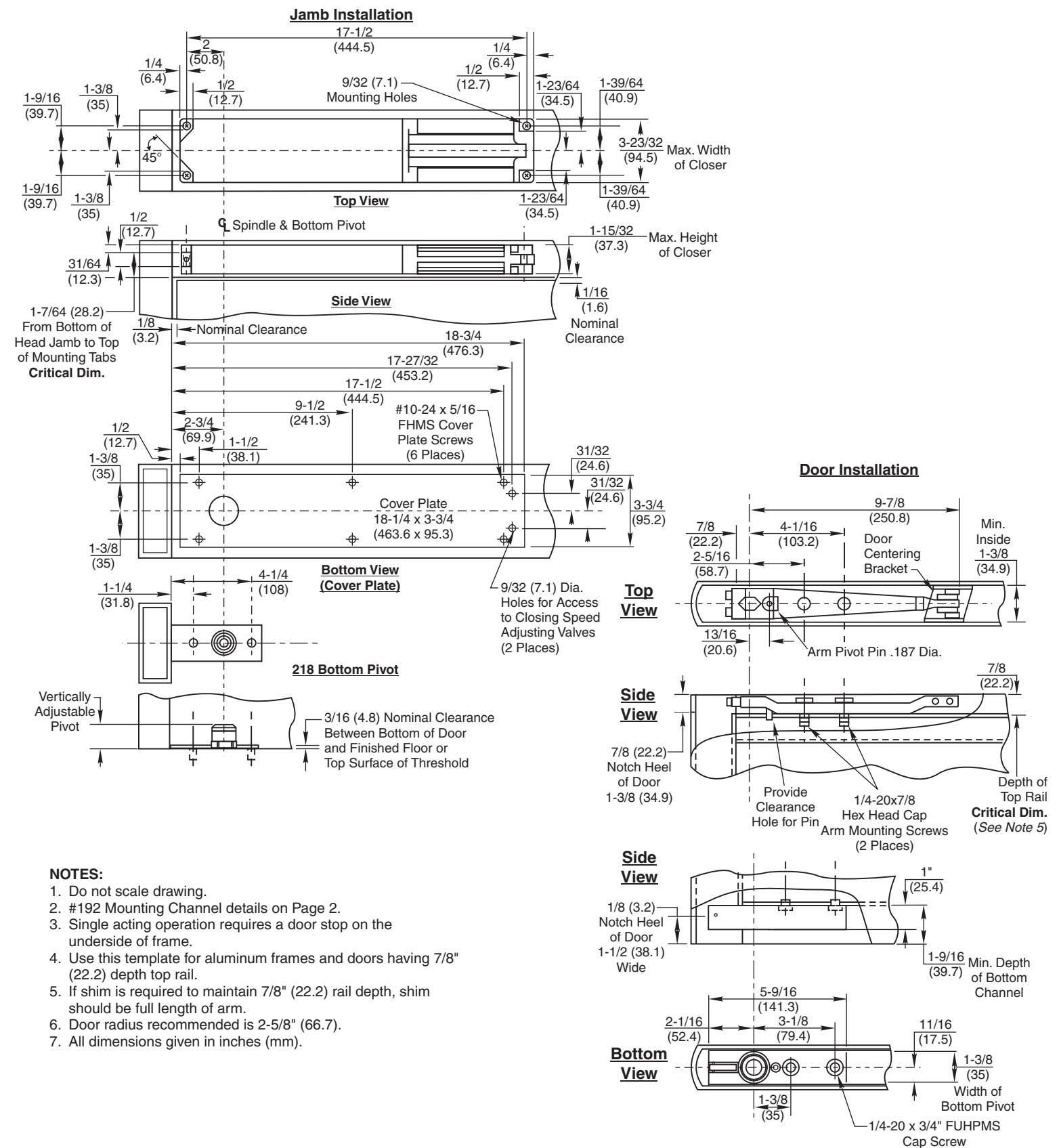
Adjust each valve screw per illustration

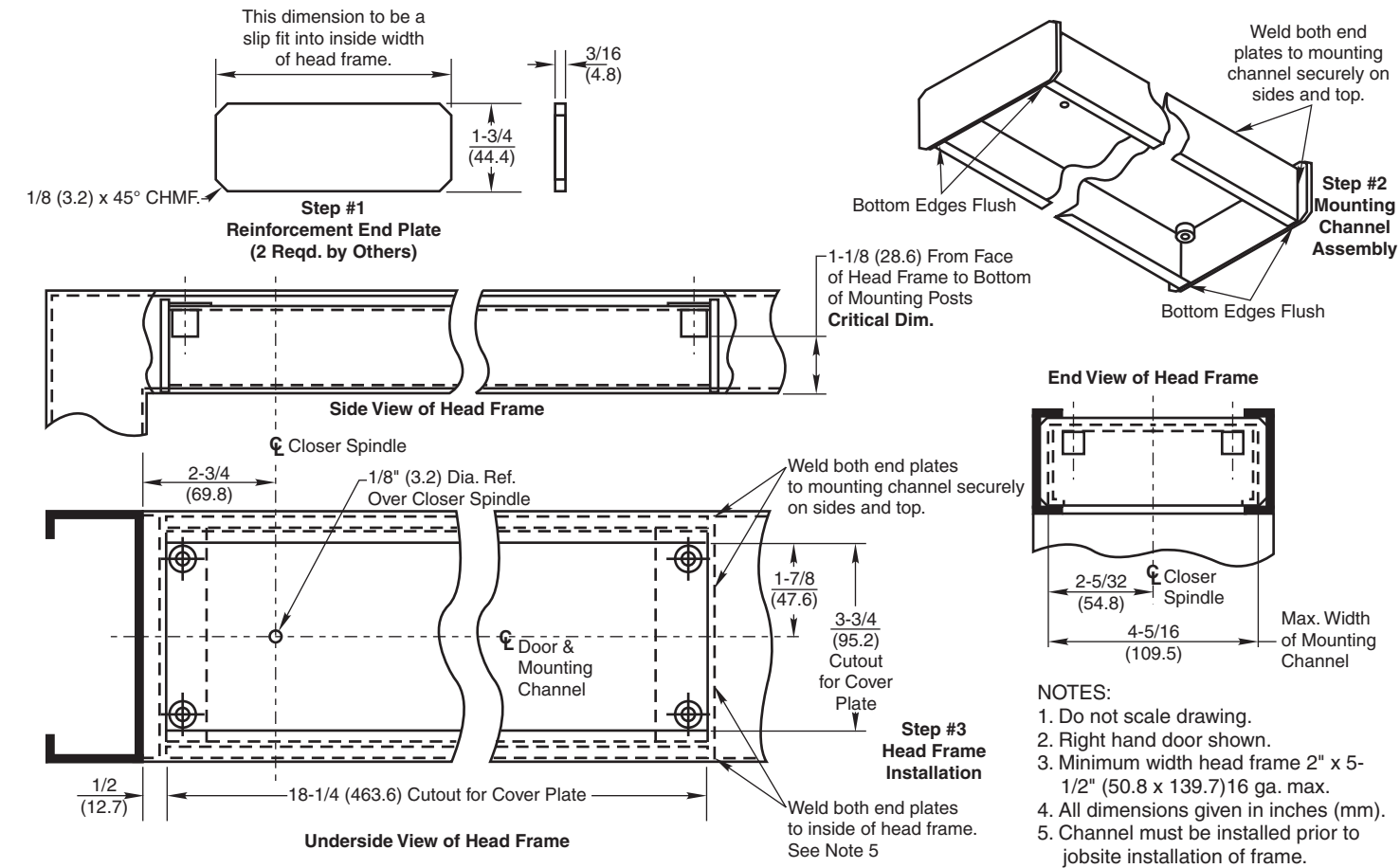


700 Series

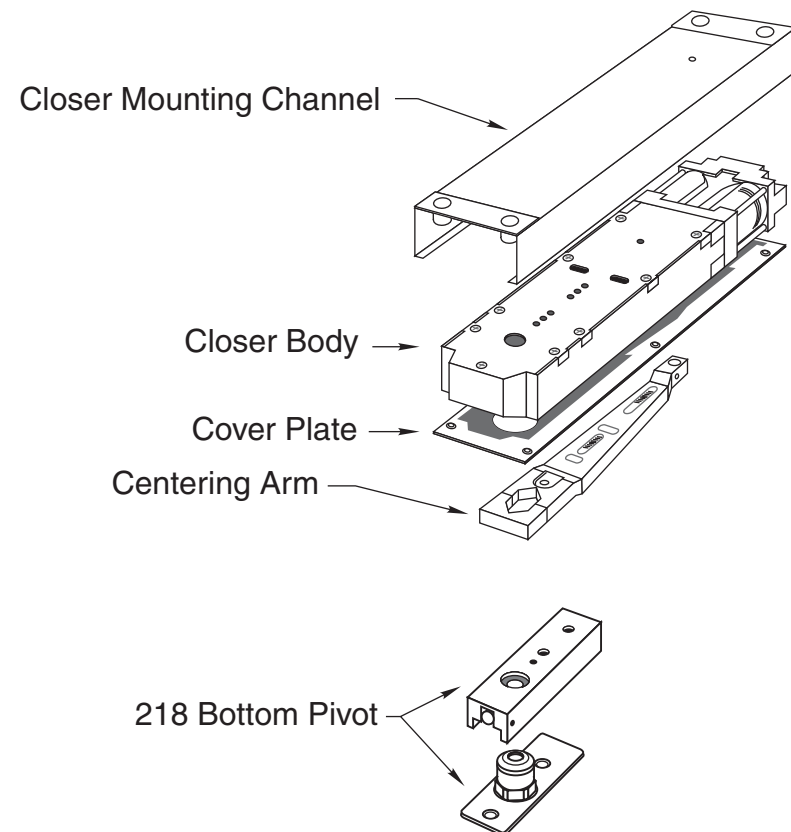
To decrease speed turn valve clockwise. To increase speed turn valve counter clockwise

To increase backcheck, turn valve clockwise, to decrease backcheck turn valve counter clockwise



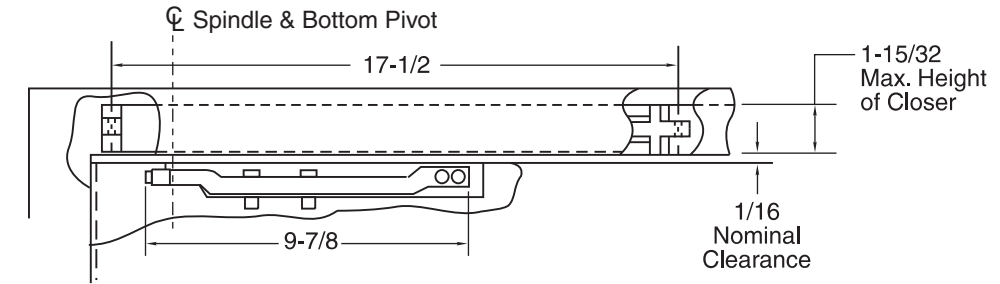


Included in package:

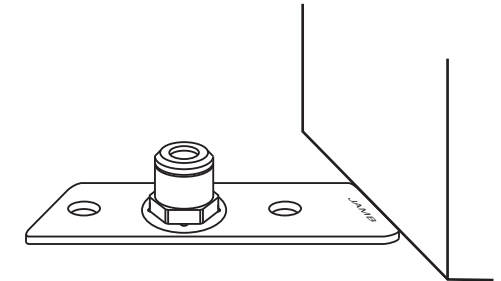


Installation Instructions

1. Install mounting channel in frame.

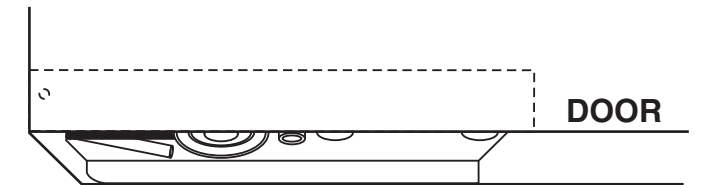


2. Install bottom pivot floor portion. (see 218 instruction sheet)



3. Install main arm using (2) 1/4 x 20 x 7/8\"/>

4. Install door portion of bottom pivot. (see 218 instruction sheet)



5. Install Door. Turn closing speed valves shut (clockwise).

- a. Using a suitable wrench, turn spindle of closer to 90° OR hold open position
- b. Slide the door over the 218 pivot, which is attached to the bottom of the door frame. Making sure the door is resting on the bottom pivot, tilt the door so that the opening in the top centering bracket fits into the main spindle at the top of the door.
- c. Install arm clamp making certain that spindle and arm fit properly. Fasten with two 5/16\"/>

