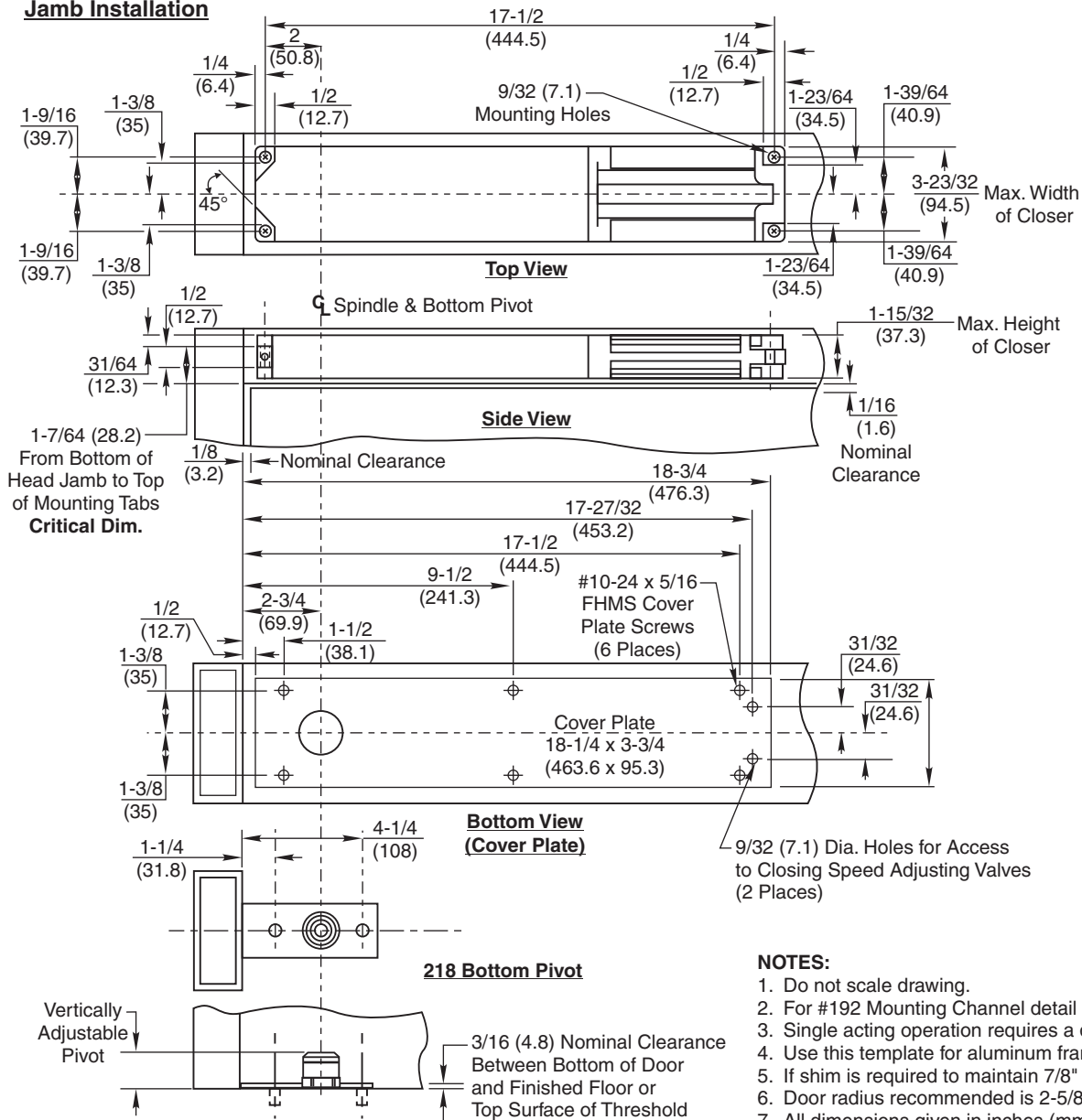
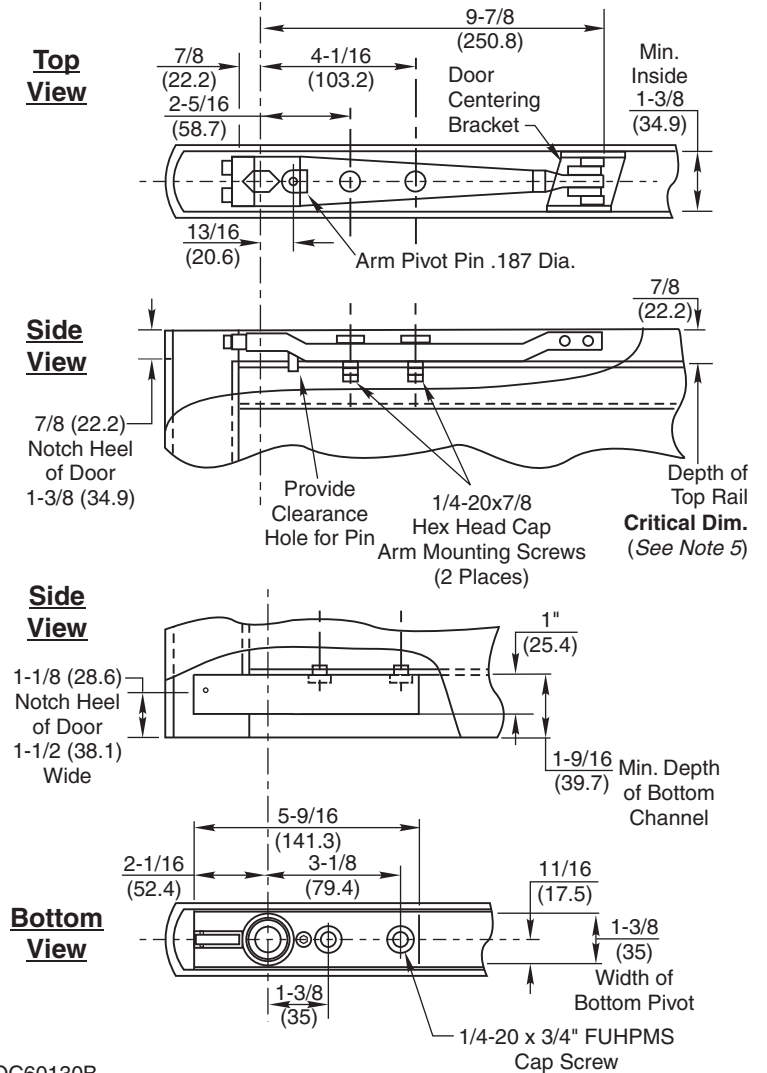


Jamb Installation



Door Installation



NOTES:

1. Do not scale drawing.
2. For #192 Mounting Channel detail see OC60130B.
3. Single acting operation requires a door stop on the underside of frame.
4. Use this template for aluminum frames and doors having 7/8" (22.2) depth top rail.
5. If shim is required to maintain 7/8" (22.2) rail depth, shim should be full length of arm.
6. Door radius recommended is 2-5/8" (66.7).
7. All dimensions given in inches (mm).

M700 Single Acting & M800 Double Acting Overhead Concealed Door Closer Center Hung for Metal Doors and Frames

RIXSON®

ASSA ABLOY

www.rixson.com

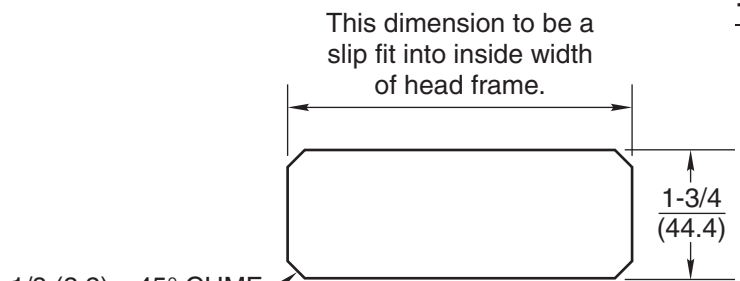
TEMPLATE NUMBER

OC60130

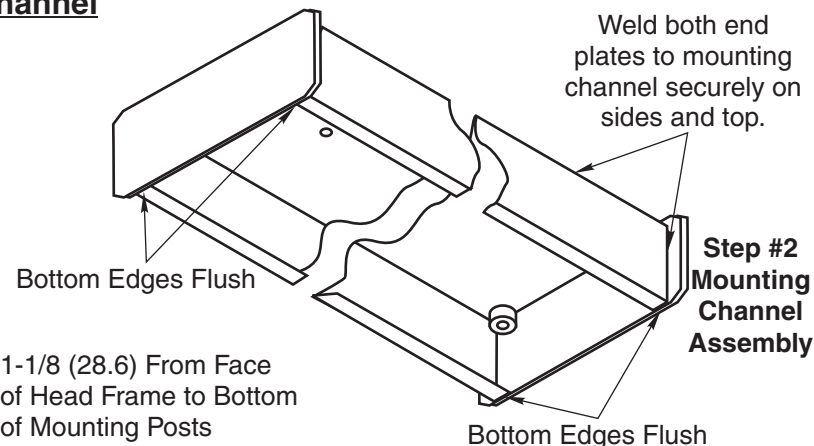
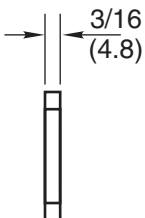
DATE

01-11

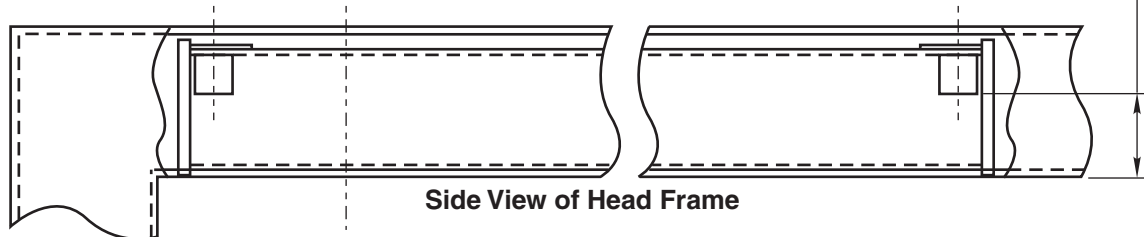
192 Hollow Metal Mounting Channel Center Hung



**Step #1
Reinforcement End Plate
(2 Req'd. by Others)**



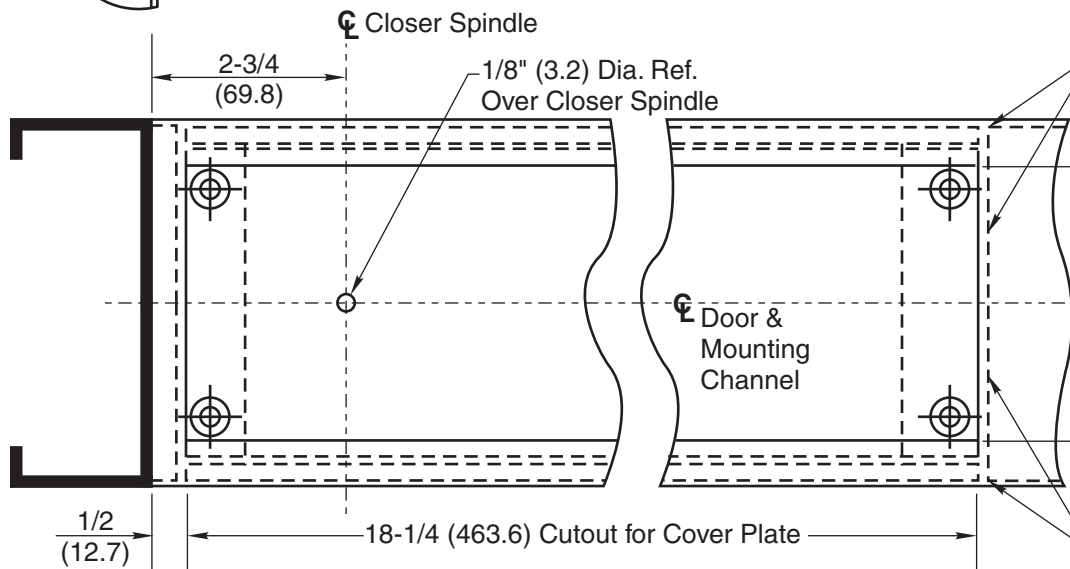
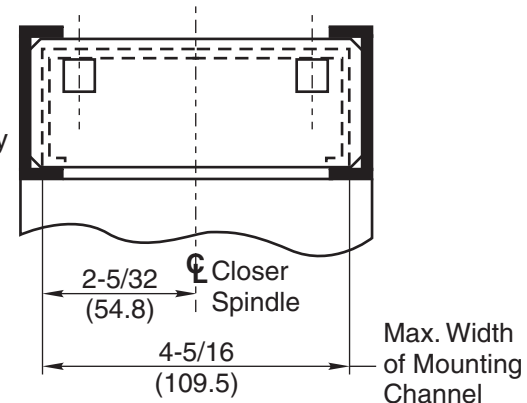
**Step #2
Mounting
Channel
Assembly**



Side View of Head Frame

1-1/8 (28.6) From Face of Head Frame to Bottom of Mounting Posts
Critical Dim.

End View of Head Frame



Underside View of Head Frame

Weld both end plates to mounting channel securely on sides and top.

**Step #3
Head Frame
Installation**

Weld both end plates to inside of head frame. See Note 5

NOTES:

1. Do not scale drawing.
2. Right hand door shown.
3. Minimum width head frame 2" x 5-1/2" (50.8 x 139.7) 16 ga. max.
4. All dimensions given in inches (mm).
5. Channel must be installed prior to jobsite installation of frame.

M700 Single Acting & M800 Double Acting Overhead Concealed Door Closer Center Hung for Metal Doors and Frames

RIXSON
ASSA ABLOY

www.rixson.com

TEMPLATE NUMBER

OC60130

DATE

01-11