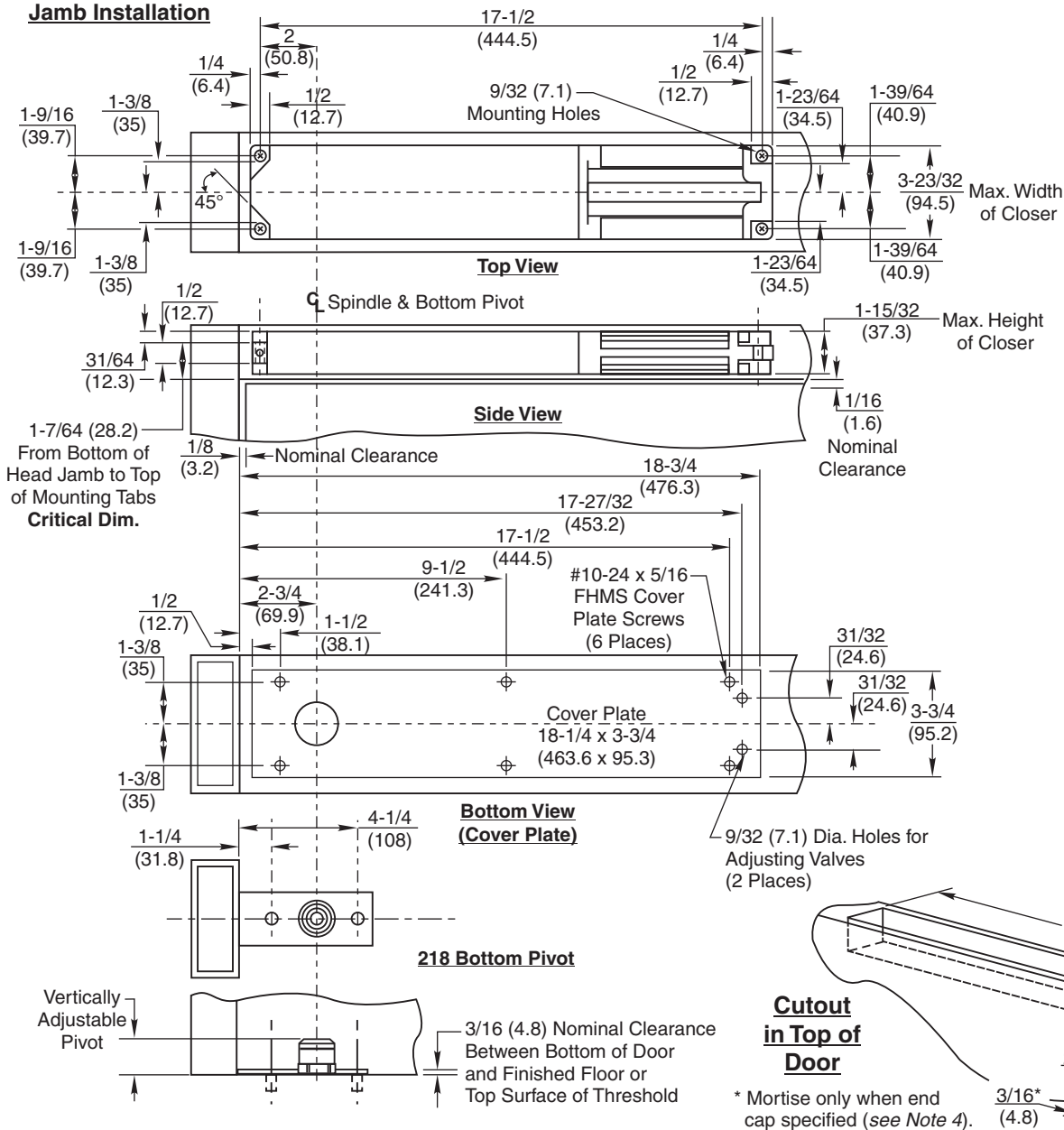
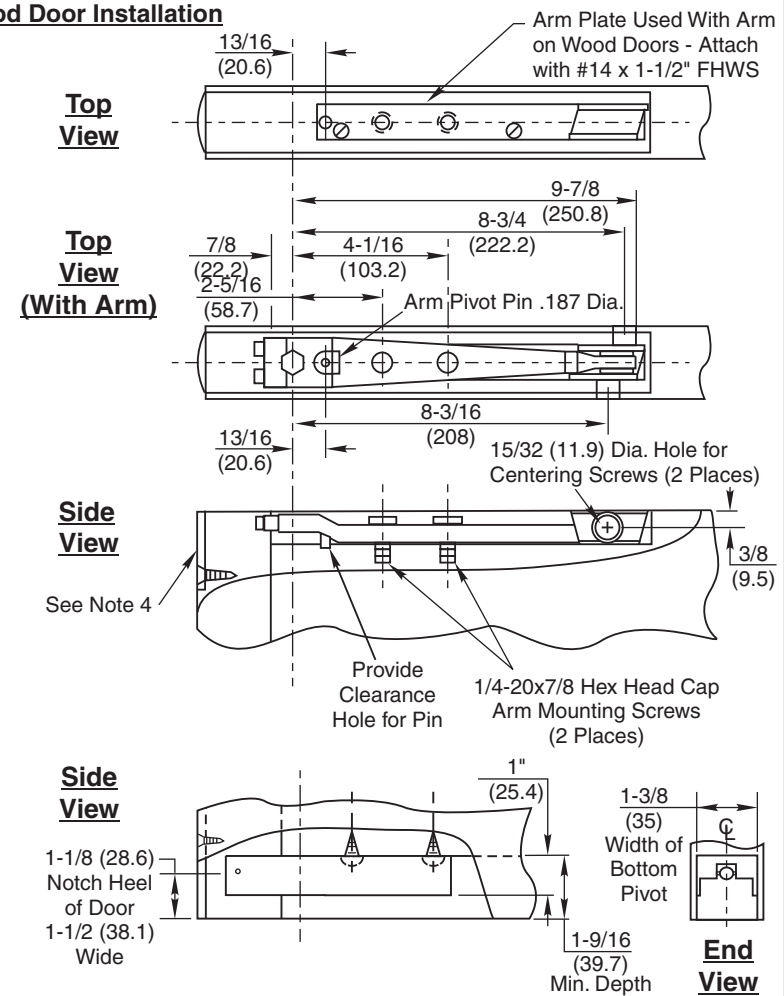


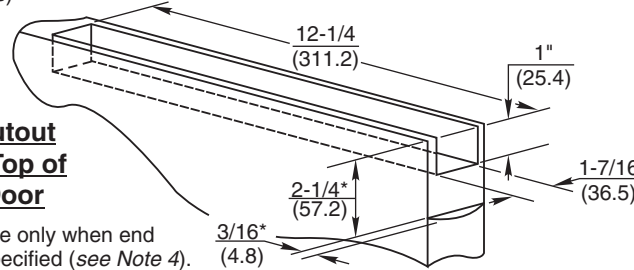
Jamb Installation



Wood Door Installation



- NOTES:**
1. Do not scale drawing.
 2. For #192 Closer Mounting Channel detail see OC60110B.
 3. Single acting operation requires a door stop on the underside of frame.
 4. #199 door end cap optional extra. (Mortise for top and bottom of door is identical.)
 5. Door radius recommended is 2-5/8" (66.7).
 6. All dimensions given in inches (mm).

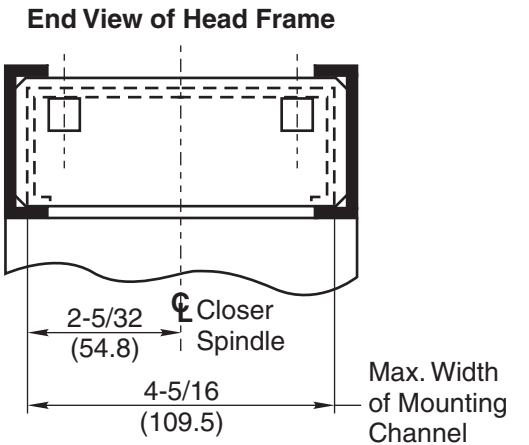
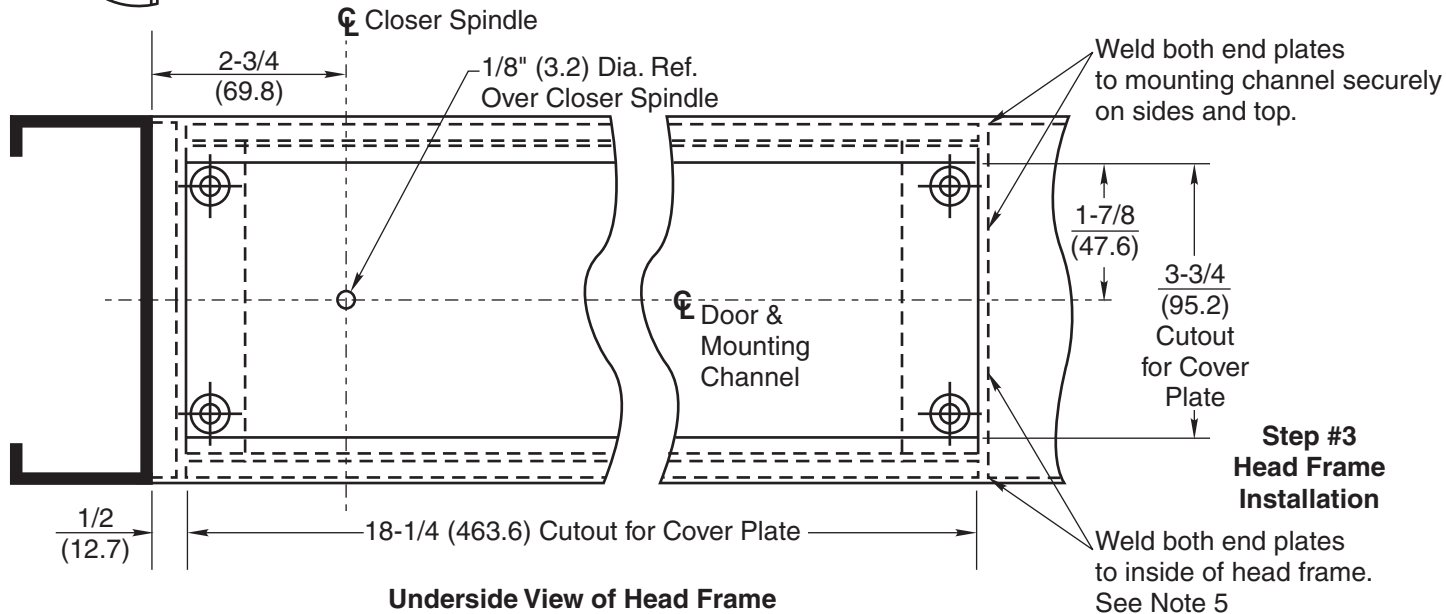
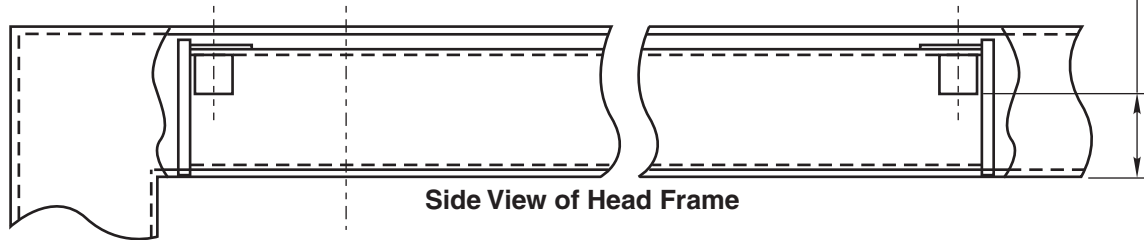
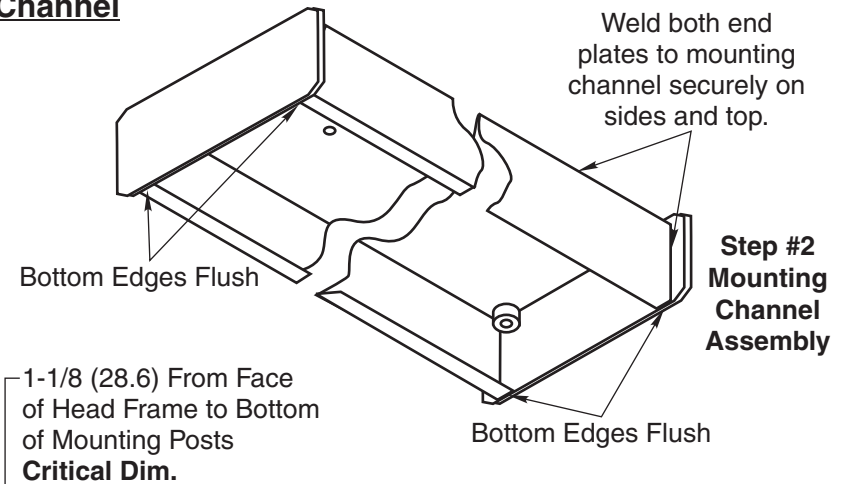
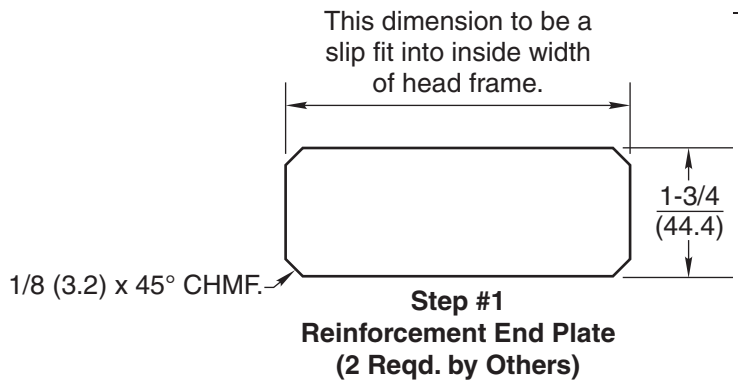


MW700 Single Acting & MW800 Double Acting Overhead Concealed Door Closer Center Hung for Wood Doors and Metal Frames

RIXSON
ASSA ABLOY
www.rixson.com

TEMPLATE NUMBER	DATE
OC60110	04-09

192 Hollow Metal Mounting Channel Center Hung



- NOTES:**
1. Do not scale drawing.
 2. Right hand door shown.
 3. Minimum width head frame 2" x 5-1/2" (50.8 x 139.7) 16 ga. max.
 4. All dimensions given in inches (mm).
 5. Channel must be installed prior to jobsite installation of frame.

MW700 Single Acting & MW800 Double Acting Overhead Concealed Door Closer Center Hung for Wood Doors and Metal Frames

RIXSON®

ASSA ABLOY

www.rixson.com

TEMPLATE NUMBER

OC60110

DATE

04-09