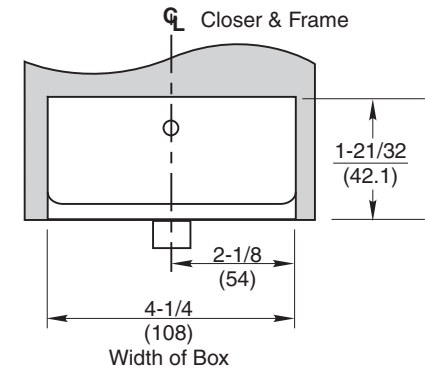
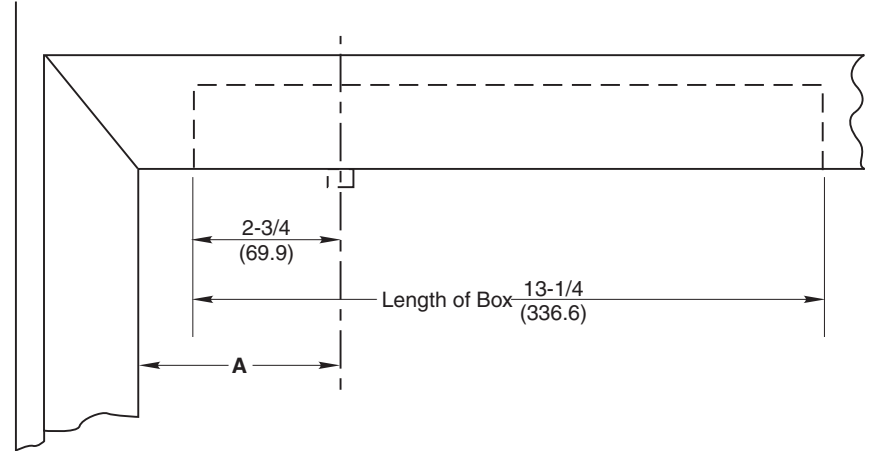
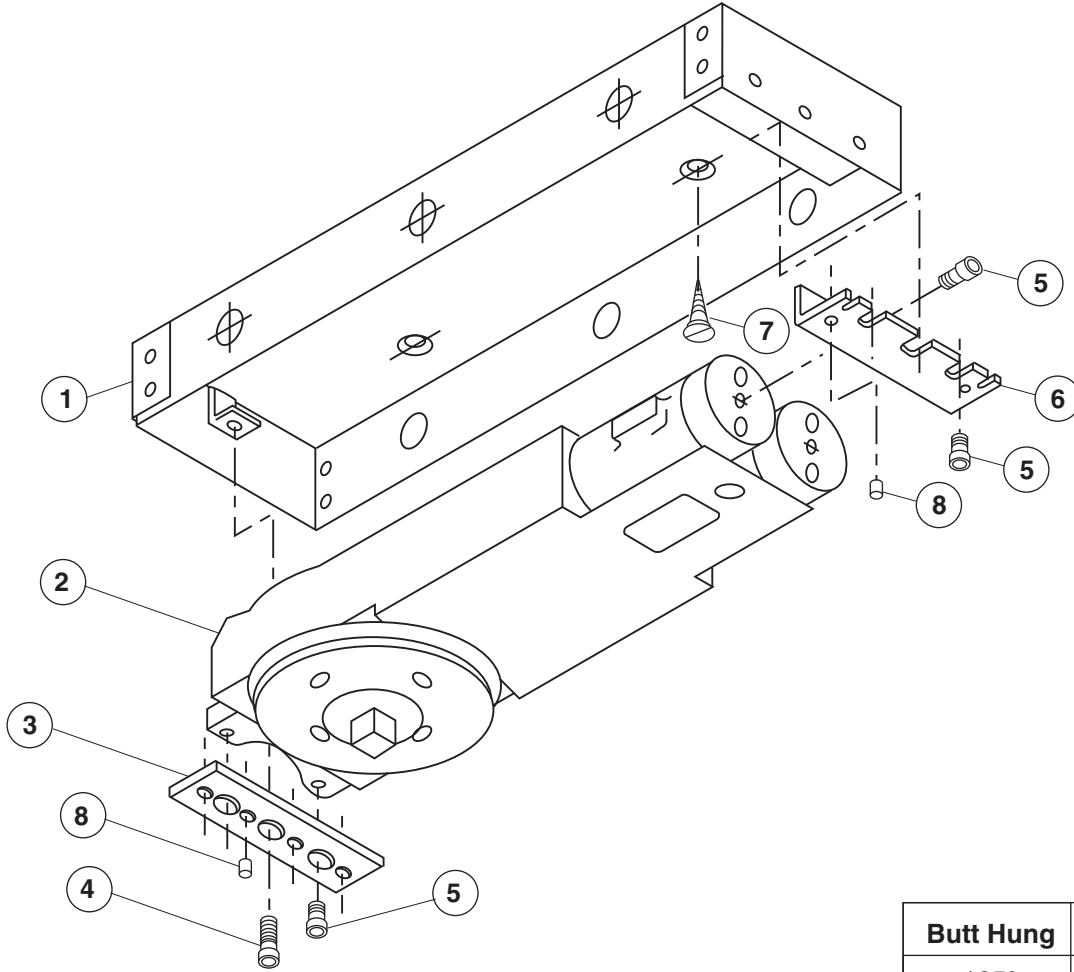


WOOD JAMB INSTALLATION



5-3/8" (136.5) or Wider Head Frame

Butt Hung	A
105°	4 (101.6)
90°	2-7/8 (73)

Item No.	Part No.	Qty.	Description
8	09544006	4	1/4-20x3/8 Soc. Set Scr.
7	01321424	4	1/4x1-1/2 FHPWS SS
6	608053	1	Angle Bracket
5	02244008	6	1/4-20x1/2 RHMS
4	02244014	1	1/4-20x7/8 RHMS
3	608052	1	Adj. Plate
2	608001 to 4	1	Closer Body
1	608049	1	Closer Case

W0608 Series Overhead Concealed Closer

RIXSON®
ASSA ABLOY

www.rixson.com

TEMPLATE NUMBER

OC60480B

DATE

05-09