

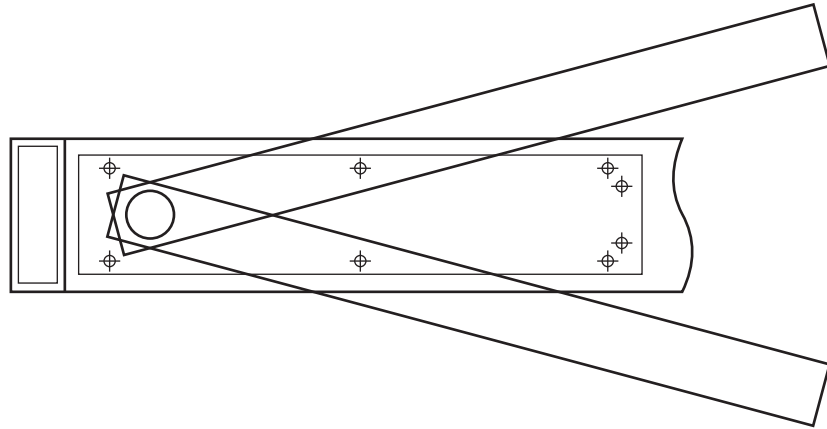
6. Centering the door. Open the adjustment valves.

800 Series

Center door in jamb by adjusting centering screws in top arm. Tighten arm screws securely.

700 Series

Adjust arm centering screws to provide pressure of door against stop on frame. Tighten main arm screws securely.

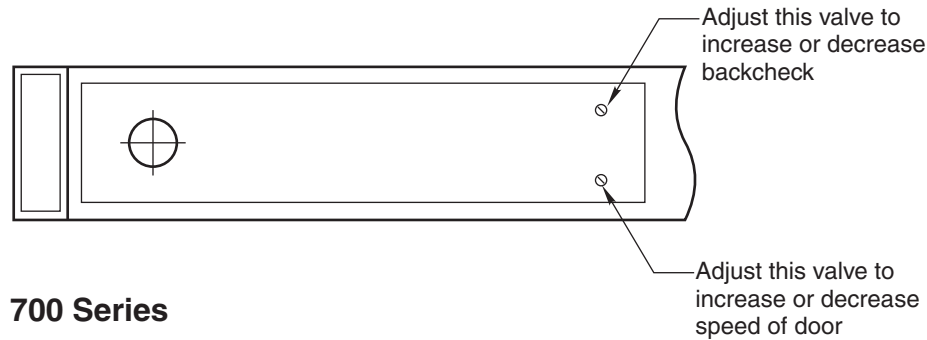


7. Adjust closing speed of door.

800 Series

Each valve controls one swing only. To decrease speed turn clockwise. To increase speed turn counter clockwise.

Adjust each valve screw per illustration.



700 Series

To decrease speed turn valve clockwise. To increase speed turn valve counter clockwise.

To increase backcheck, turn valve clockwise, to decrease backcheck turn valve counter clockwise.

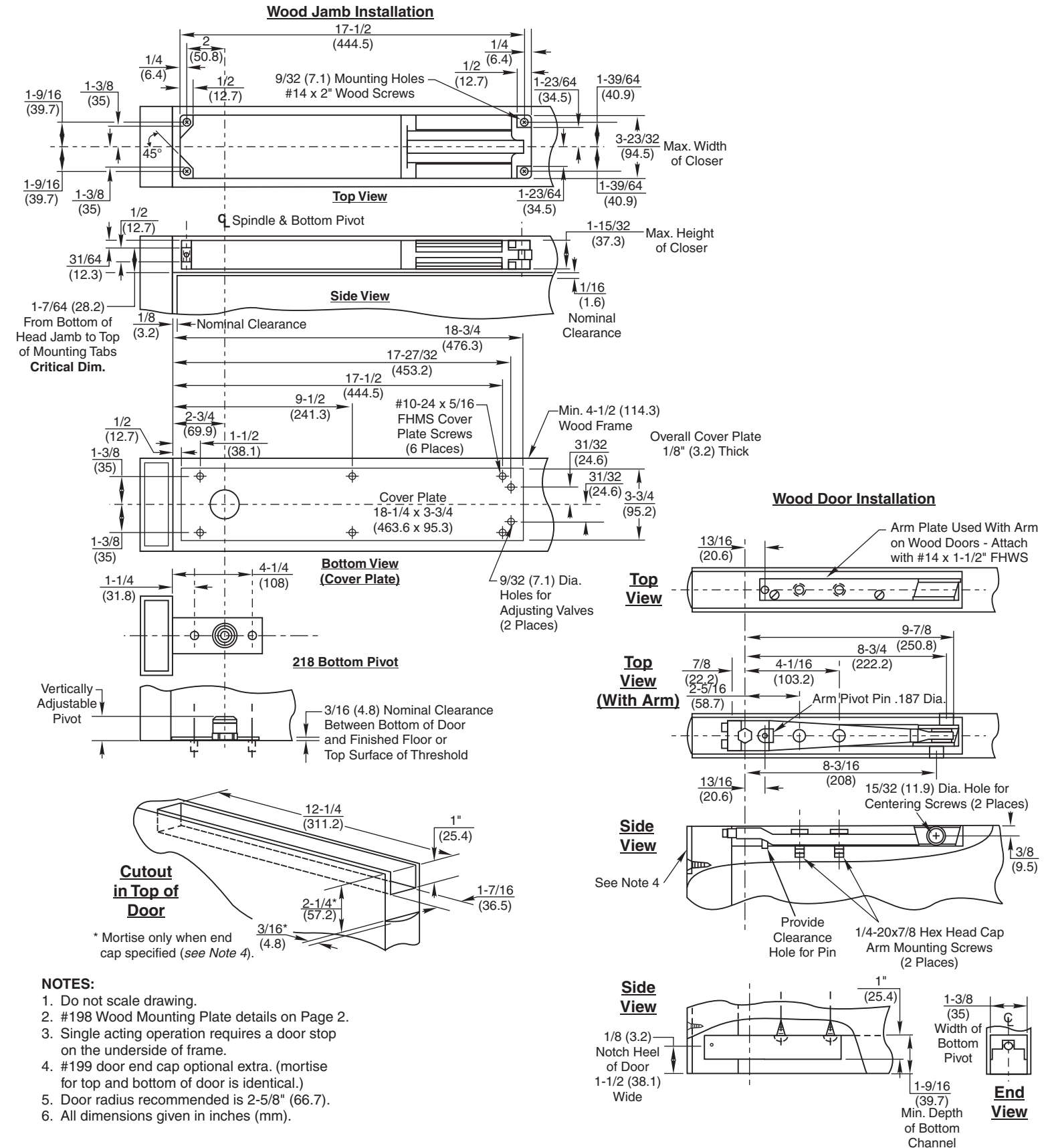
RIXSON®

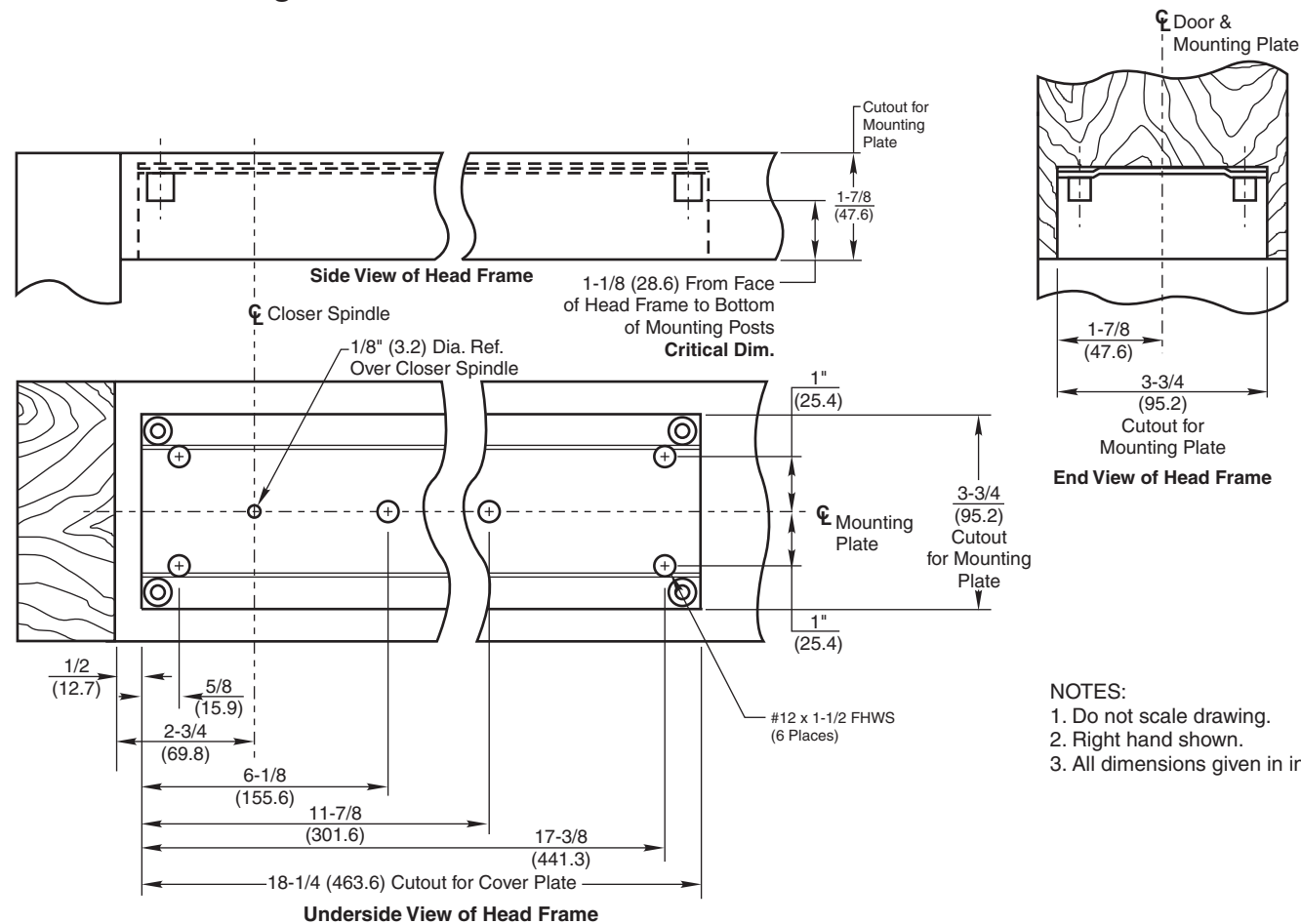
ASSA ABLOY

W700 Series Overhead Concealed Closer (Wood Door & Frame)
W700 Series, Center Hung Single Acting, Handed

Installation Instructions

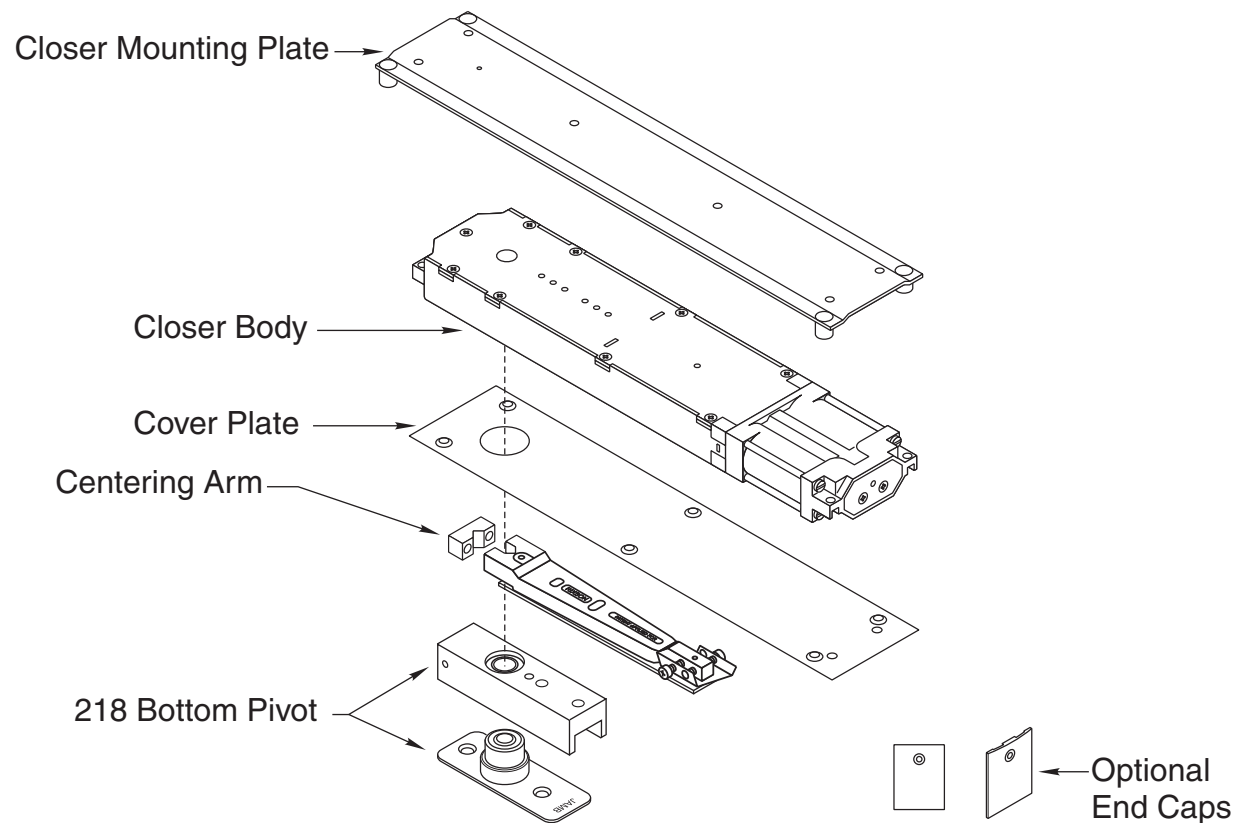
ISW700 (06-09)





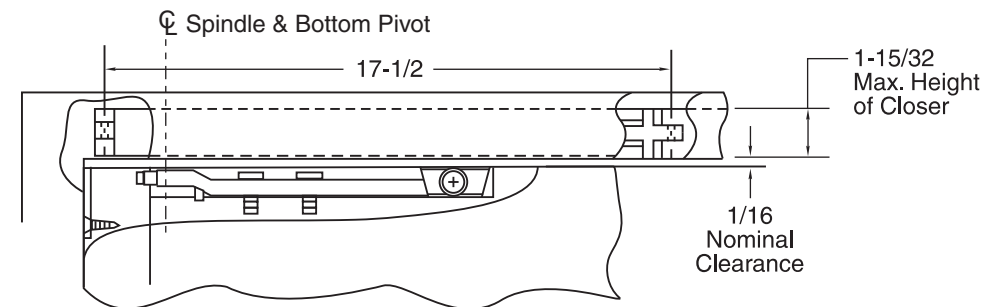
NOTES:
 1. Do not scale drawing.
 2. Right hand shown.
 3. All dimensions given in inches (mm).

Included in package:

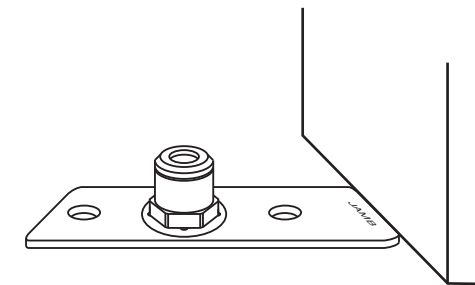


Installation Instructions

1. Install mounting plate in frame.

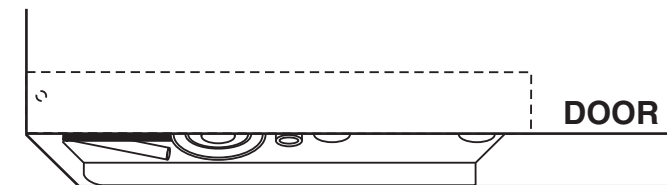


2. Install bottom pivot floor portion.
 (see 218 instruction sheet)



3. Install wood door arm plate using #14 x 1-1/2 FHWS. Install main arm using (2) 1/4 x 20 x 7/8" hex head arm screws. Drill (2) each 15/32 holes for centering screws, where shown on template. Do not tighten arm or centering screws.

4. Install door portion of bottom pivot.
 (see 218 instruction sheet)



5. Install Door. Turn closing speed valves shut (clockwise).

- a. Using a suitable wrench, turn spindle of closer to 90° OR hold open position
- b. Slide the door over the 218 pivot, which is attached to the bottom of the door frame. Making sure the door is resting on the bottom pivot, tilt the door so that the opening in the top centering bracket fits into the main spindle at the top of the door.
- c. Install arm clamp making certain that spindle and arm fit properly. Fasten with two 5/16" socket head cap screws. **IMPORTANT:** Tighten arm locking screws securely while working door back and forth.

